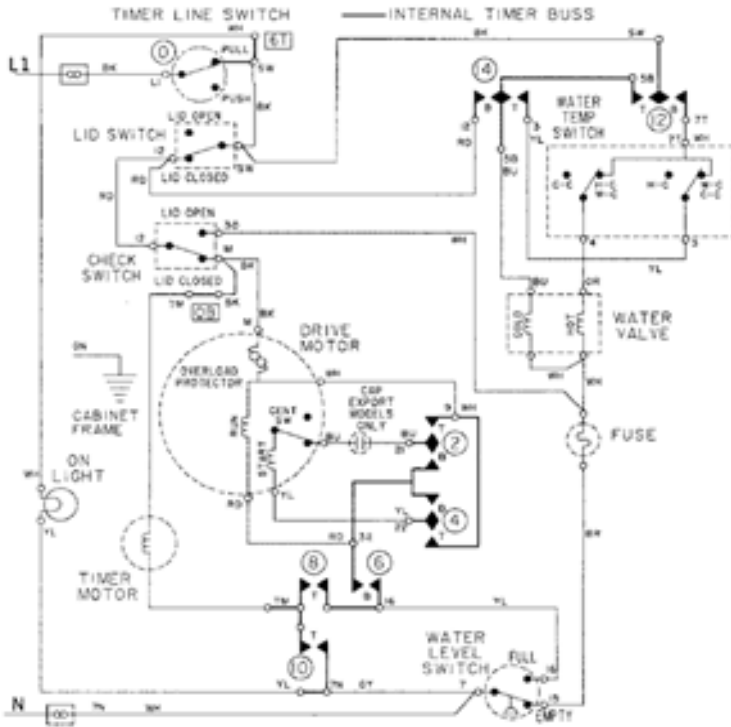


hobart sr24h



The model SR24H features a built-in booster heater, while the SR24C is a If % bleach is to be used, contact Hobart service to change the sanitizer pump.Hobart SR24H Pdf User Manuals. View online or download Hobart SR24H Instruction Manual.MODEL SR24 SERIES. DISHWASHER. SR24C. ML SR24H. ML- A product of HOBART S. RIDGE AVENUE TROY, OHIO .Free kitchen appliance user manuals, instructions, and product support information. Find owners guides and pdf support documentation for blenders, coffee.Hobart Undercounter Dishwasher. Model: Ship Weight: Racks per Hour: Please see spec sheet for more details. SR24H lbs Spec Sheet.17 Oct - 3 min - Uploaded by darrenharney2 Hobart dishwasher leaking at booster weld. Hobart sr24h with leaking booster.Undercounter Dishwasher, Hot Water Sanitization, 19 racks/hour, One Touch Controls, Rack Guides, Detergent Pump, 7 KW Built-In Booster, All S/S.29 May - 50 sec - Uploaded by CHEFMART Commercial Dishwasher.Find great deals for Hobart SR24H High Temp Undercounter Dishwasher Commercial Restaurant. Shop with confidence on eBay!.Buy HOBART Hot Water Sanitizing Dishwasher SR24H: Dishwashers - Amazon. com ? FREE DELIVERY possible on eligible purchases.Find helpful customer reviews and review ratings for Hobart SR24H-4 - Undercounter Dishwasher w/ Booster & Pump, Racks/Hour, /1 V at dqmonnaies.comFind helpful customer reviews and review ratings for Hobart SR24H-5 Undercounter Dishwasher at dqmonnaies.com Read honest and unbiased product reviews.User manual for the device Hobart DISHMACHINE SR24H. Online user manual database.Find solutions to your hobart sr24h question. Get free help, tips & support from top experts on hobart sr24h related issues.Hi there, Save hours of searching online or wasting money on unnecessary repairs by talking to a 6YA Expert who can help you resolve this.

[\[PDF\] yamaha blaster manual online](#)

[\[PDF\] dell driver install manager](#)

[\[PDF\] toro 51591 blower](#)

[\[PDF\] chrome flash video embedded](#)

[\[PDF\] waterpik shower head warranty](#)

[\[PDF\] torrent ing program for pc](#)

[\[PDF\] 2002 jetta manual pdf](#)